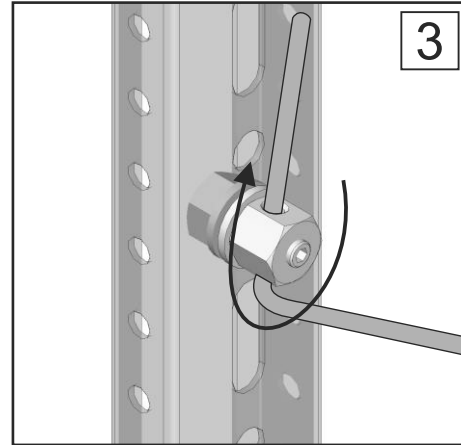
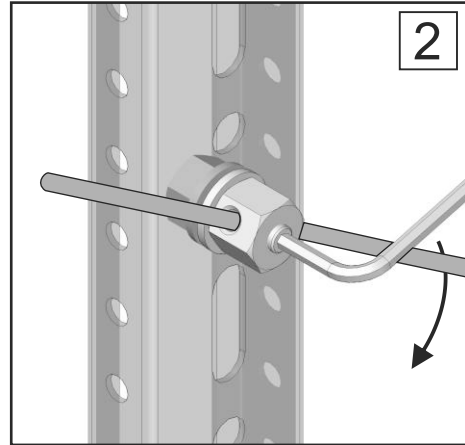
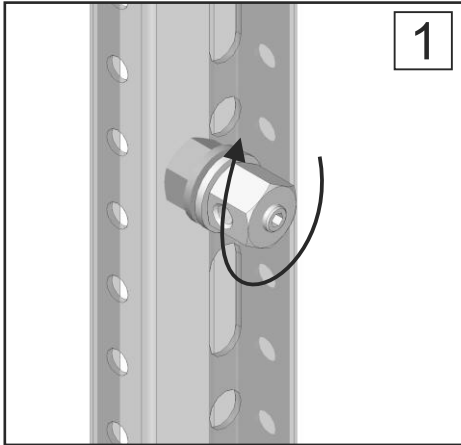
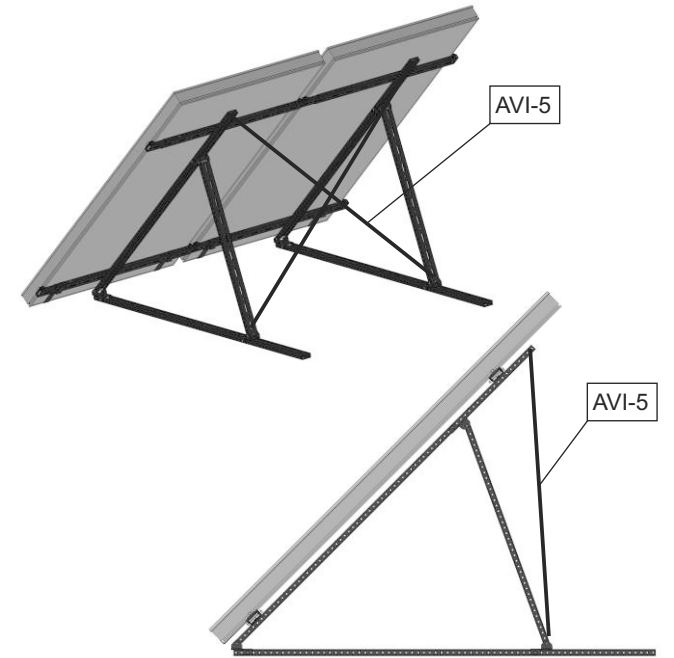


ATTENTION:
FOR WIND > 26m/sec (100Km/h)



EXAMPLES

